

# 工业级， 压力变送器

Electronic  
Pressure Transmitter

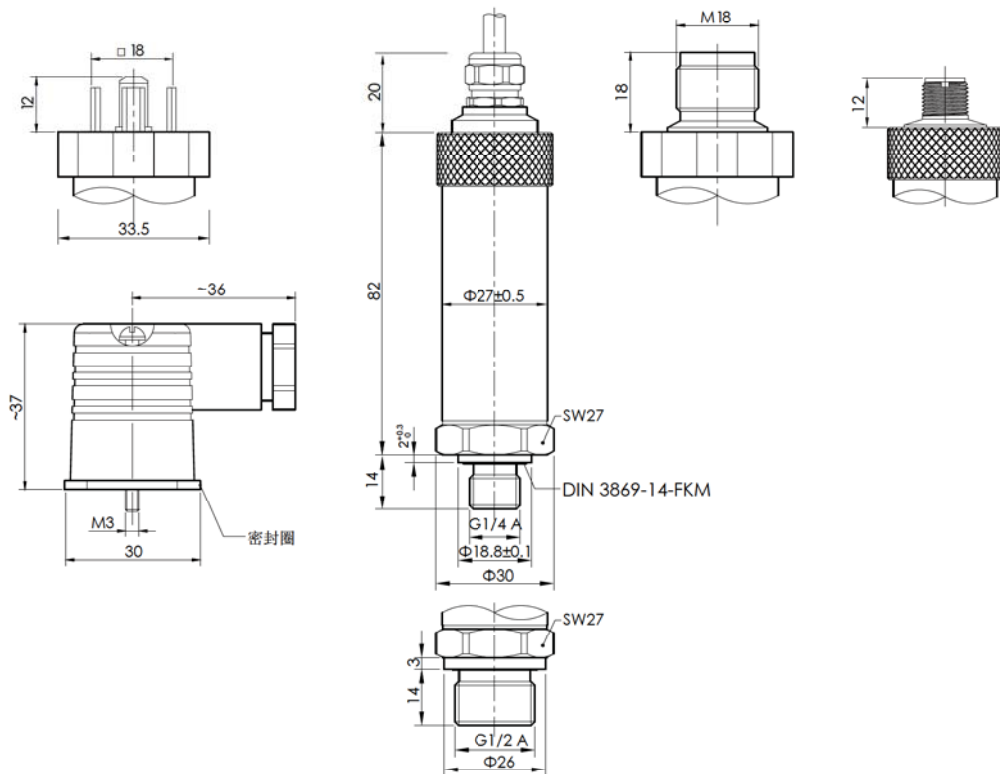
## SDP65A00系列

应用于航空、机械、  
工业自动化、钢铁、能源行业



- 精度极高，最小设定精度 $\leq \pm 0.05\%$  F.S typ.
- 温差极小，零点温度补偿 $\leq \pm 0.008\%$  F.S/ $^{\circ}\text{C}$  typ.
- EMC性能佳，符合CE认证
- 防护等级可达到IP65/IP67/IP68
- 稳定性和耐用性强

### 外形尺寸图 Dimensions



# 65A-系列 压力变送器

## 技术参数 Technical Parameter

参数	Specifications	技术指标	Technical Data
<b>输入数据 Input data</b>			
压力范围	Measuring ranges	0~1...2...5...8...16...30...50...100...400...500...600...800...1000Bar	
过载压力	Overload pressures	400%F.S	200%F.S 150%F.S
破坏压力	Burst pressures	600%F.S	300%F.S 200%F.S
机械接口	Mechanical connection	G1/4-A	G1/2-A
锁紧扭力	Torque value	20 N.m	45N.m
与介质接触部分	Parts in contact with medium	Mech. connection: Stainless steel Seal: FKM	
<b>输出数据 Output data</b>			
输出信号及阻抗	Output signal, permitted resistance	4 .. 20 mA, 2 conductor $R_{Lmax.} = (U_B - 10 V) / 20 \text{ mA} \text{ [k}\Omega\text{]}$ 0 .. 10 V, 3 conductor $R_{Lmin.} = 2 \text{ k}\Omega$ 0 .. 5 V, 3 conductor $R_{Lmin.} = 2 \text{ k}\Omega$	
精度为DIN 16086	Accuracy to DIN 16086 Max. setting	$\leq \pm 0.050\%$ F.S typ. $\leq \pm 0.075\%$ F.S max.	
非线性	Non-linearity at max. setting to DIN 16086	$\leq \pm 0.05\%$ F.S max.	
迟滞	Hysteresis	$\leq \pm 0.1\%$ F.S max.	
重复精度	Repeatability	$\leq \pm 0.05\%$ F.S	
压力上升时间	Rise time	$\leq 1\text{ms}$	
长期稳定性	Long-term drift	$\leq \pm 0.1\%$ F.S typ. / year	
<b>环境条件 Environmental conditions</b>			
温度补偿范围	Compensated temperature range	-40~ +85 °C	
工作温度范围	Operating temperature range	-40~ +85 °C	
储存温度范围	Storage temperature range	-40~ +100 °C	
流体温度范围	Fluid temperature range	-40~ +100 °C	
CE 标记	CE mark	EN 61000-6-1 / 2 / 3 / 4	
耐振性	Vibration resistance to DIN EN 60068-2-6 at 10 .. 500 Hz	$\leq 20 \text{ g}$	
保护等级	Protection class to DIN 40050	IP 65 (connector to DIN 43650 and Binder 714 M18) IP 67 (M12x1) IP 68 (connector is used)	
<b>其他数据 Other data</b>			
2线制电源电压	Supply voltage 2 conductor	10 .. 30 VDC	
3线制电源电压	Supply voltage 3 conductor	12 .. 30 VDC	
电压电流残余脉冲	Residual ripple of supply voltage	$\leq 5\%$	
消耗电流3线制	Current consumption 3 conductor	approx. 25 mA	

# 65A-系列 压力变送器

选型表 **Model code:**

**SDP 6 5A X X – X-XXXX-X (000)**

**机械连接 Mechanical connection**

- 4 = G1/4-A DIN 3852 (male)
- 5 = G1/2-A DIN 3852 (male)
- M = 客户定制

**电气连接 Electrical connection**

- 4 = 4 pole Binder series 714 M18, male  
(connector not supplied)
- 5 = 3 pole + PE, DIN 43650, male  
(connector supplied)
- 6 = M12x1 4 pole, male  
(connector not supplied)
- 0 = flying lead (Teflon cable silicone-free)

**输出信号 Signal**

- A = 4 ~ 20 mA, 2 conductor
- B = 0 ~ 10 V, 3 conductor
- J = 0 ~ 5V, 3 conductor

**压力范围(Bar) Pressure ranges in Bar**

- 0001 = 0~1Bar
- 0016 = 0~16Bar
- 1000 = 0~1000Bar
- (压力范围0~1... 1000Bar可选)

**工作方式 Operational Mode**

- A = 绝压 Absolute
- G = 表压 Gague

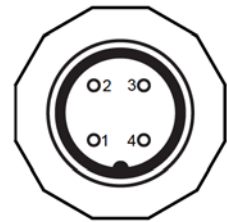
**导线 Modification number**

- 000 = 标准 (无电缆线)
- 020 = 2m 电缆线 (对应电器连接选项母端电缆线)
- 050 = 5m 电缆线 (对应电器连接选项母端电缆线)

注: SDP65A00系列为客户定制高精度型号;

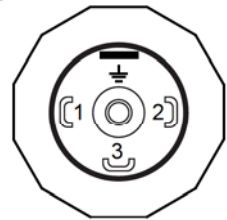
接线定义 **Pin connections:**

Binder series 714 M18



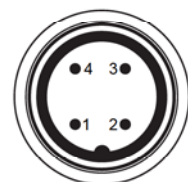
Pin	SDP65AXX-A	SDP65AXX-B/J
1	n.c.	+U <sub>B</sub>
2	Signal+	Signal
3	Signal-	0 V
4	n.c.	n.c.

DIN 43650



Pin	SDP65AXX-A	SDP65AXX-B/J
1	Signal+	+U <sub>B</sub>
2	Signal-	0 V
3	n.c.	Signal
	PE	PE

M12x1 4-pole male



Pin	SDP65AXX-A	SDP65AXX-B/J
1	+24VDC	+U <sub>B</sub>
2	Signal+	Signal
3	n.c.	0 V
4	n.c.	n.c.

Cable gland Pg7



Core	SDP65AXX-A	SDP65AXX-B/J
black	n.c.	+U <sub>B</sub>
brown	Signal+	Signal
blue	Signal-	0 V
green-yellow	n.c.	n.c.
silver mesh	shielding wire	shielding wire